

1-877-697-2233

# **INSTANT**

## **UpRight Scaffold**

User Manual

# **SPAN 400 series**

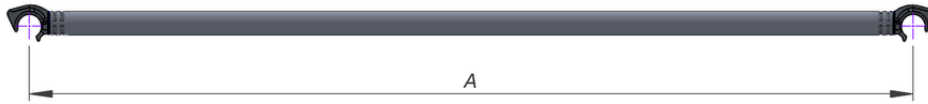
*Data Sheet*

## **SPAN 400 series Data Sheet**

### *Contents*

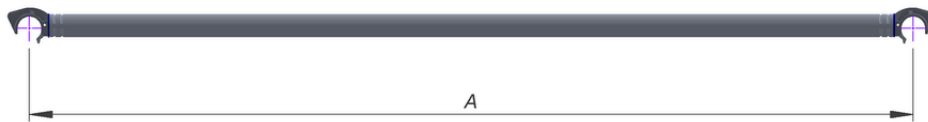
- *Braces 3*
- *Toeboards 4-6*
- *Platforms 7*
- *Frames 9-12*
- *Bracing Frames 13-14*
- *Guardrail Frames 15-18*
- *VX Bases 19-21*
- *VX Frames 22-23*
- *VX Folding Braces 24*
- *Outriggers 25*
- *Ladders 226*
- *Adjustible Legs 27*
- *Castors 28*
- *SPAN 400 User Manual 29*
- *Contact Information 29*

## HORIZONTAL BRACE



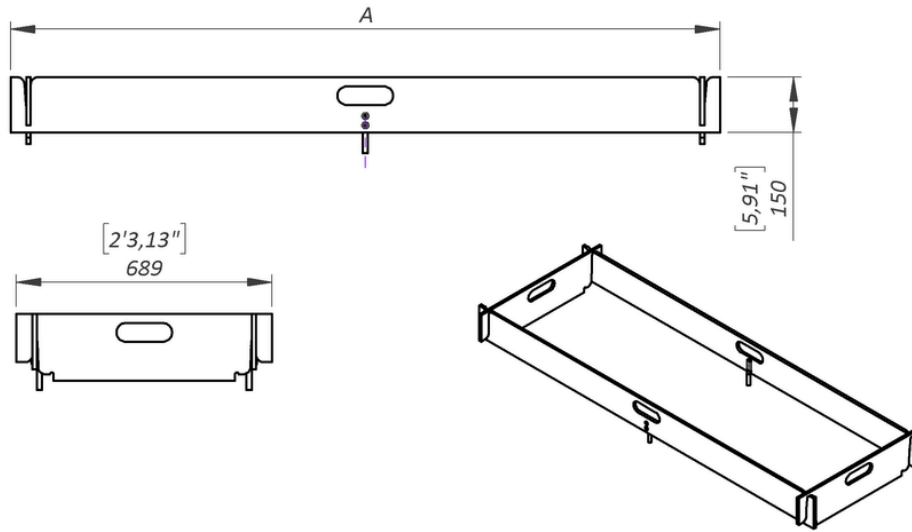
Part No.	Description	Size A (mm)	Size A (in)	Weight (Kg)	Ring color
1509	1.29m (4Ft) Horizontal Brace	1290	50.787	1.4	--
223	2.0m (6Ft) Horizontal Brace	1912	75.276	1.7	Light Blue
105	2.5m (8Ft) Horizontal Brace	2496	98.268	2.0	Light Brown
221	3.0m (10Ft) Horizontal Brace	3048	120	2.4	Orange

## DIAGONAL BRACE

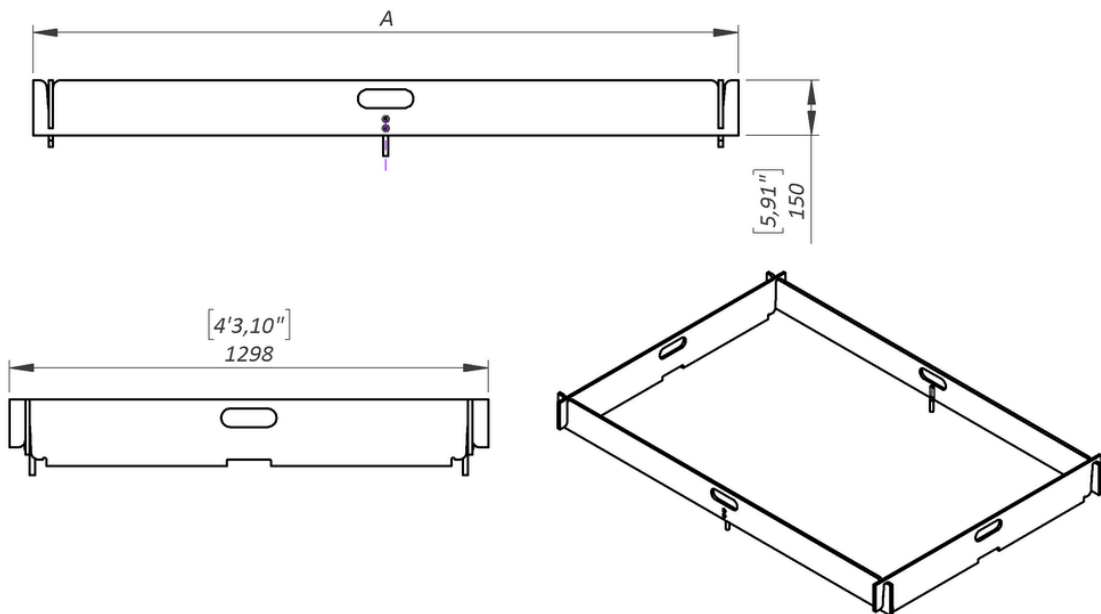


Part No.	Description	Size A (mm)	Size A (in)	Weight (Kg)	Ring color
9268	1.29m (4Ft) Diagonal Brace	1533	60.354	1.6	--
364	2.0m (6Ft) Diagonal Brace	2084	82.047	1.8	Dark Blue
365	2.5m (8Ft) Diagonal Brace	2630	103.543	2.2	Dark Brown
210	3.0m (10Ft) Diagonal Brace	3158	124.331	2.5	Red

## 4 Piece Wooden Toeboard Set



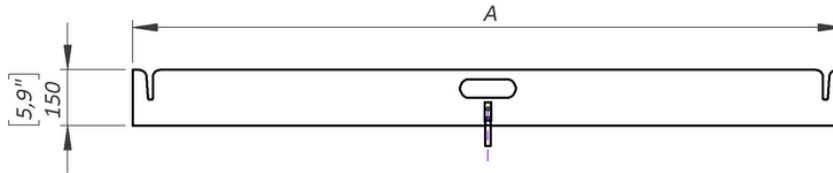
Part No.	Description	A (mm)	A (in)	Weight (Kg)
9604	1.29m (4Ft) SW Toeboard Set	1290	50.787	5.6
9606	2.0m (6Ft) SW Toeboard Set	1912	75.276	6.8
9608	2.5m (8Ft) SW Toeboard Set	2496	98.268	8.4
9610	3.0m (10Ft) SW Toeboard Set	3048	120	9.8



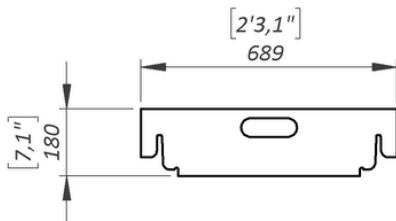
Part No.	Description	A (mm)	A (in)	Weight (Kg)
9614	1.29m (4Ft) DW Toeboard Set	1290	50.787	7.5
9616	2.0m (6Ft) DW Toeboard Set	1912	75.276	8.7
9618	2.5m (8Ft) DW Toeboard Set	2496	98.268	11.5
9620	3.0m (10Ft) DW Toeboard Set	3048	120	14.4

# 4 Piece Wooden Toeboard

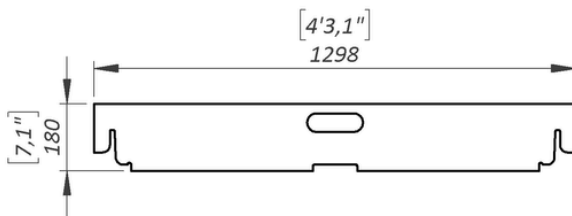
## Parts



Part No.	Description	Size A (mm)	Size A (in)	Weight (Kg)
9617-04	1.29m (4Ft) Side Toeboard	1290	50.78	1.8
9617-06	2.0m (6Ft) Side Toeboard	1912	75.27	2.7
9617-08	2.5m (8Ft) Side Toeboard	2496	98.26	3.5
9617-10	3.0m (10Ft) Side Toeboard	3048	120	4.2

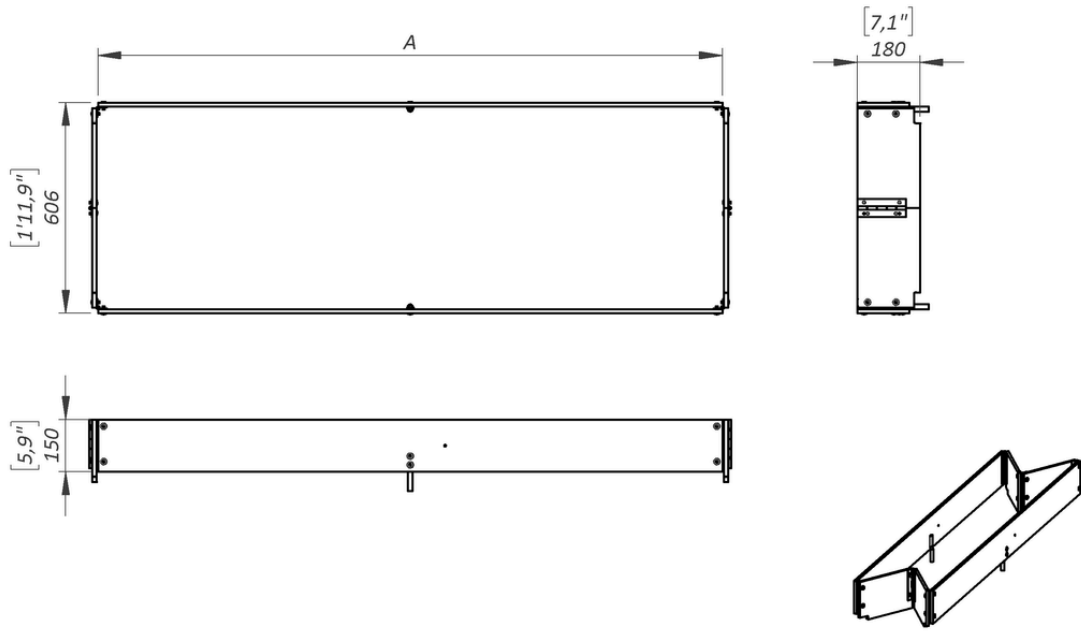


Part No.	Description	Weight (Kg)
9619-02	End Toeboard SW	0.98

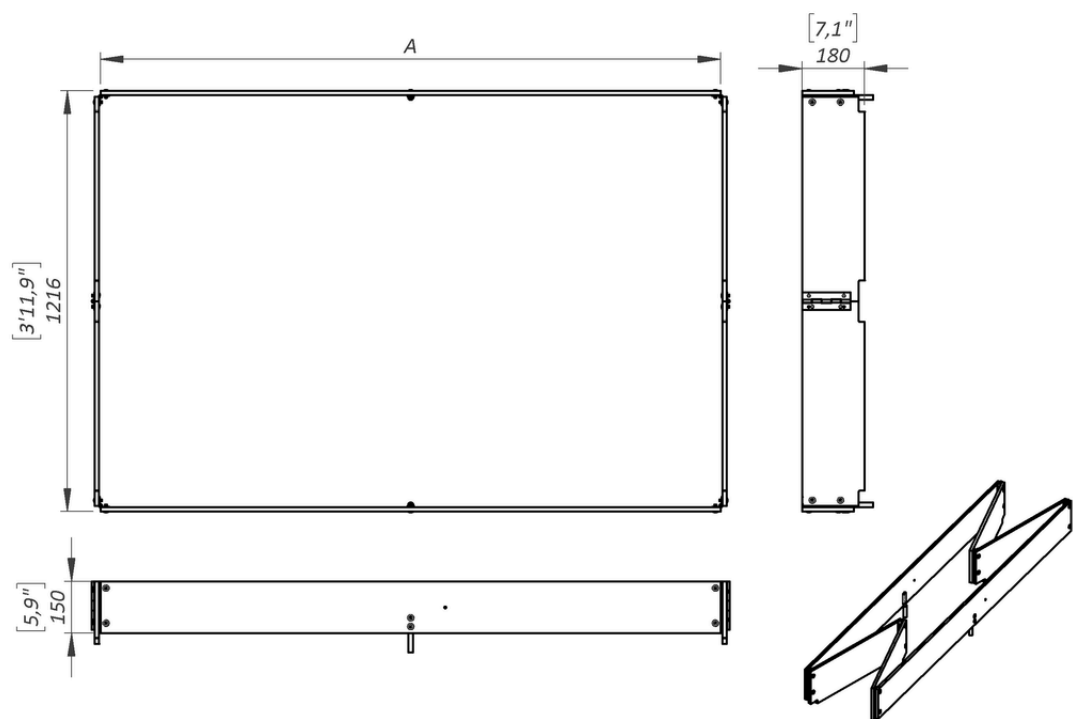


Part No.	Description	Weight (Kg)
9619-04	End Toeboard DW	1.96

# 1 Piece Wooden Toeboard (folding)

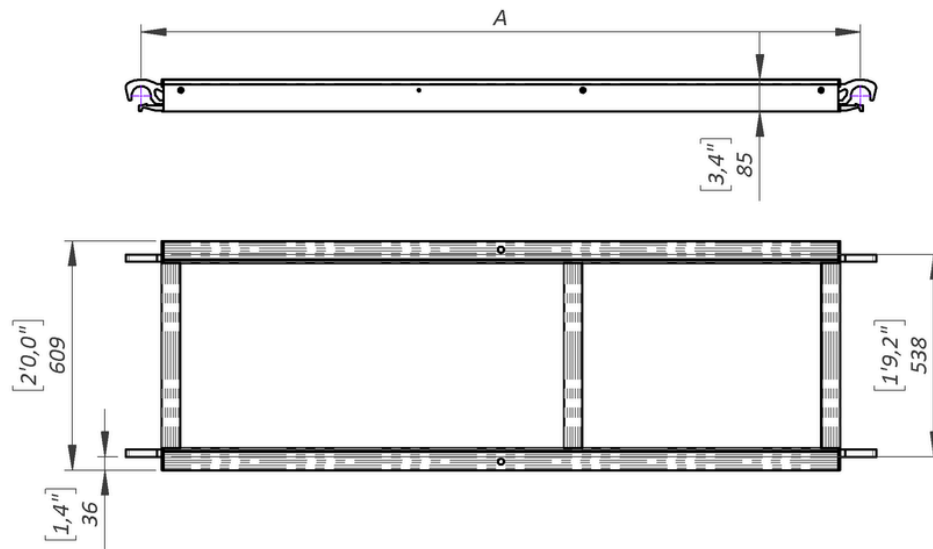


Part No.	Description	Size A (mm)	Size A (in)	Weight (Kg)
E2480-34	1.29m (4Ft) SW Toeboard Hinged	1174	46.22	6.4
E2480-36	2.0m (6Ft) SW Toeboard Hinged	1798	70.78	8.5
E2480-38	2.5m (8Ft) SW Toeboard Hinged	2382	93.78	10.0
E2480-40	3.0m (10Ft) SW Toeboard Hinged	2934	115.51	11.5



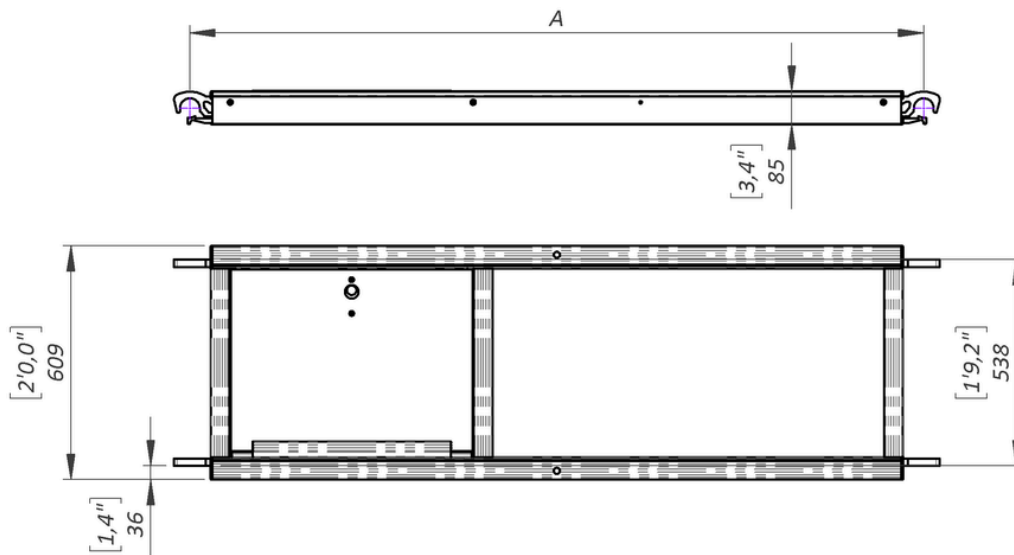
Part No.	Description	Size A (mm)	Size A (in)	Weight (Kg)
E 2480-44	1.29m (4Ft) DW Toeboard Hinged	1174	46.22	8.4
E2480-46	2.0m (6Ft) DW Toeboard Hinged	1798	70.78	10.0
E2480-48	2.5m (8Ft) DW Toeboard Hinged	2382	93.78	11.5
E2480-50	3.0m (10Ft) DW Toeboard Hinged	2934	115.51	13.0

## Standard Platform



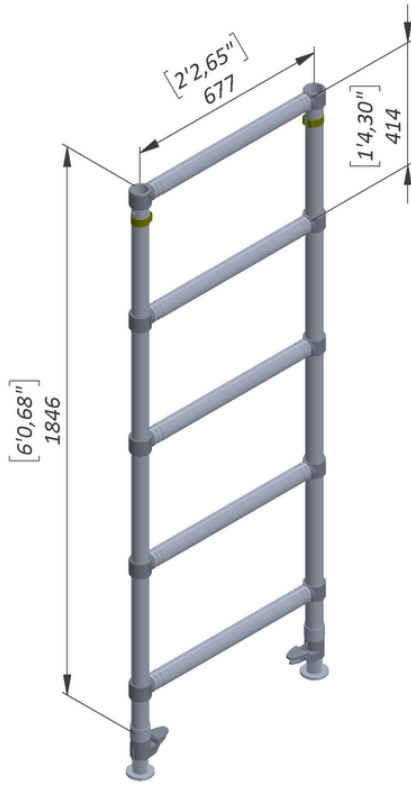
Part No.	Description	Size A (mm)	Size A (in)	Weight (Kg)
46265	1.29m (4Ft) Standard Platform	1290	50.78	9.5
46362	2.0m (6Ft) Standard Platform	1912	75.27	13.8
46361	2.5m (8Ft) Standard Platform	2496	98.26	17.2
46208	3.0m (10Ft) Standard Platform	3048	120	19.7

## Trapdoor Platform



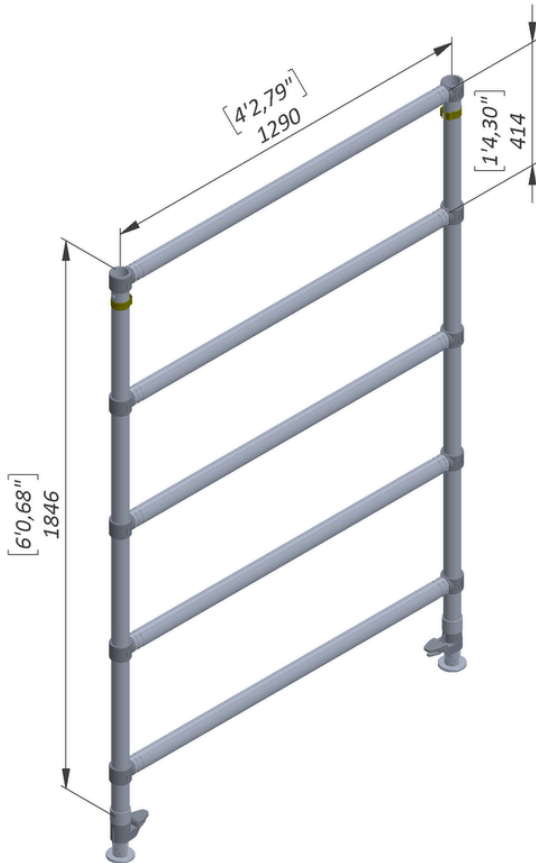
Part No.	Description	Size A (mm)	Size A (in)	Weight (Kg)
46092-03-2	1.29m (4Ft) Trapdoor Platform	1290	50.78	9.72
46093-03-2	2.0m (6Ft) Trapdoor Platform	1912	75.27	14.1
46094-03-2	2.5m (8Ft) Trapdoor Platform	2496	98.26	17.5
46095-03-2	3.0m (10Ft) Trapdoor Platform	3048	120	20.0

# Base Frame (spigots down)



Part No.	Description	Weight (Kg)
<b>WITH LEGS</b>		
9209-00	SW Base Frame (narrow)	9.5
<b>WITHOUT LEGS</b>		
9209-01	SW Base Frame (narrow)	7.3

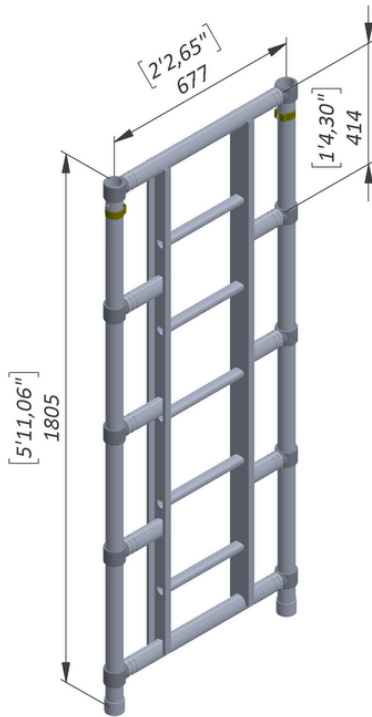
0.4m Adjustable Leg (Part No. 9517-01)



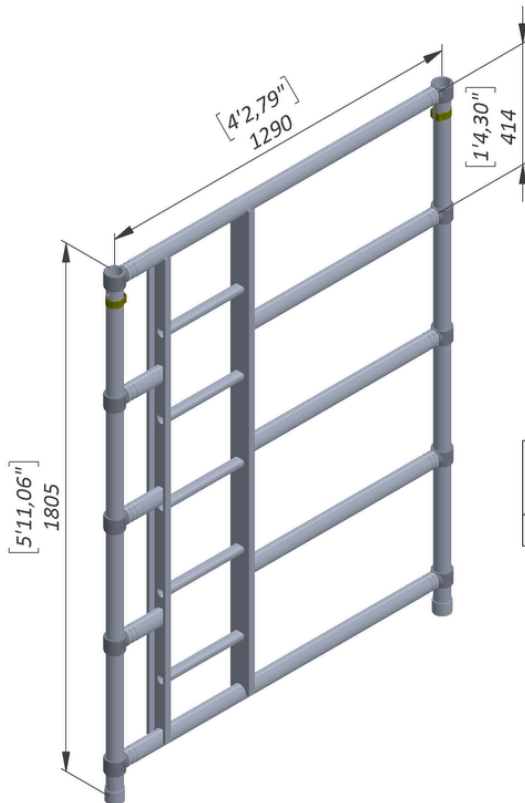
Part No.	Description	Weight (Kg)
<b>WITH LEGS</b>		
9409-00	SW Base Frame (narrow)	11.5
<b>WITHOUT LEGS</b>		
9409-01	SW Base Frame (narrow)	9.3

0.4m Adjustable Leg (Part No. 9517-01)

# Base Ladder Frame (spigots down)



Part No.	Description	Weight (Kg)
E1680-25	SW Base Ladder Frame (narrow)	7.3

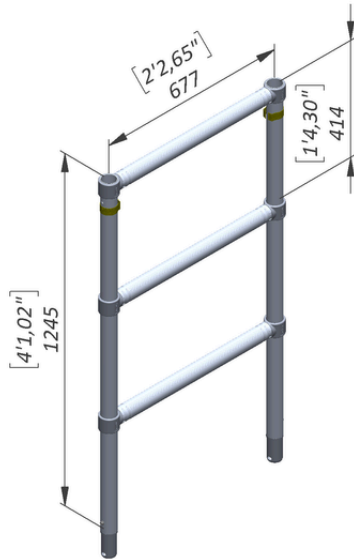


Part No.	Description	Weight (Kg)
E1680-16	DW Base Ladder Frame (wide)	9.3

# Standard Frame



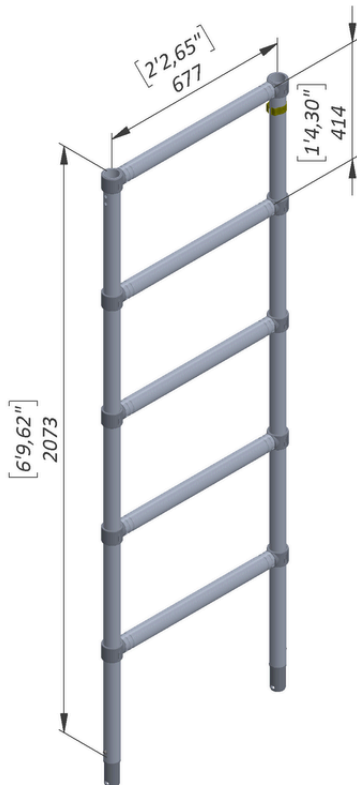
## 3 Rung SW Frame



Part No.	Description	Weight
99123	3 Rung SW Frame (narrow)	4.5

Can be used as Base frame (Spigots up) or as extension Frame (Spigots down)

## 5 Rung SW Frame

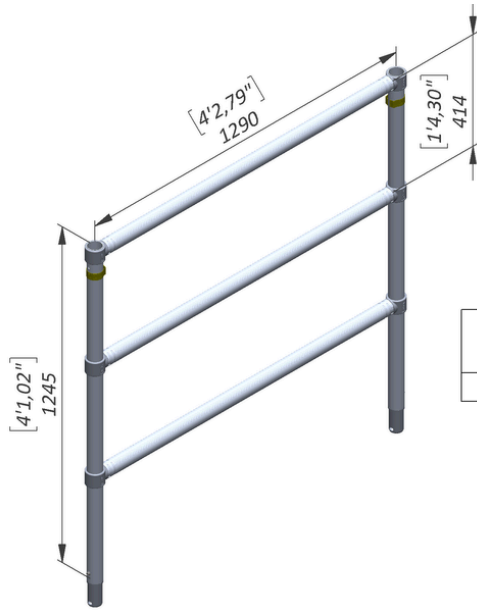


Part No.	Description	Weight
99125	5 Rung SW Frame (narrow)	7.3

Can be used as Base frame (Spigots up) or as extension Frame (Spigots down)

## Standard Frame

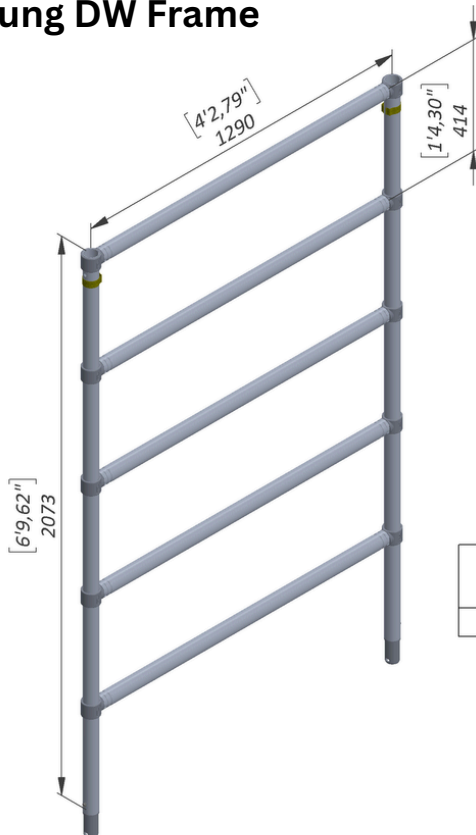
### 3 Rung DW Frame



Part No.	Description	Weight
99143	3 Rung DW Frame (wide)	5.8

Can be used as Base frame (Spigots up) or as extension Frame (Spigots down)

### 5 Rung DW Frame



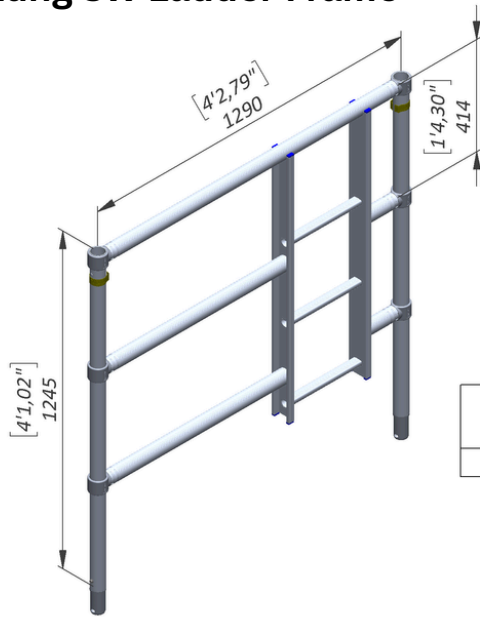
Part No.	Description	Weight
99145	5 Rung DW Frame (wide)	9.3

Can be used as Base frame (Spigots up) or as extension Frame (Spigots down)

# Standard Ladder Frame (Spigots Down)

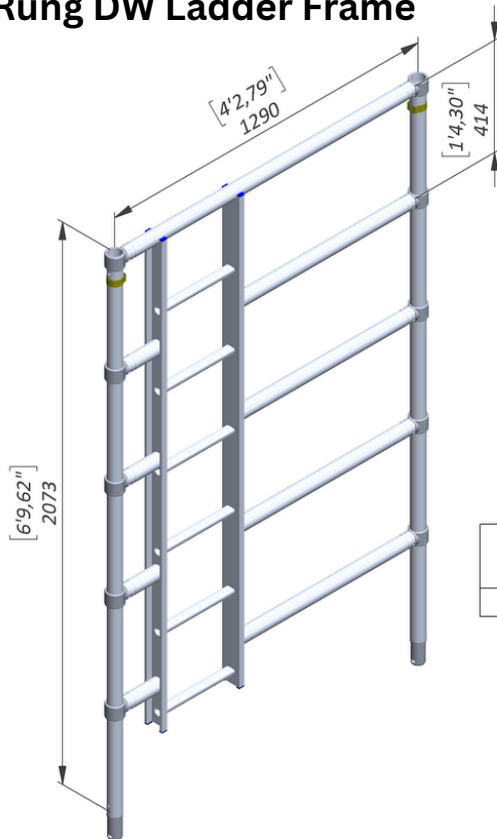


## 3 Rung SW Ladder Frame



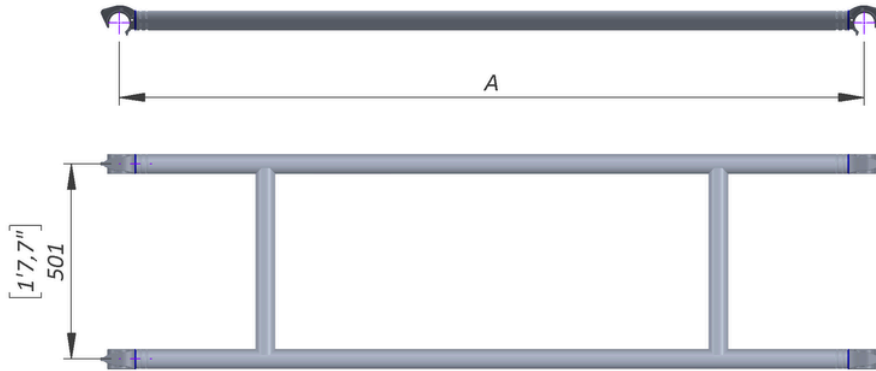
Part No.	Description	Weight
E1680-05	3 Rung DW Ladder Frame (wide)	7.2

## 5 Rung DW Ladder Frame

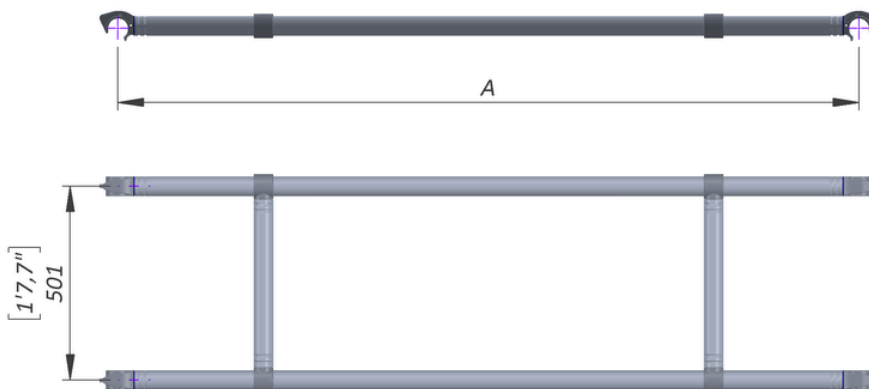


Part No.	Description	Weight
E1680-03	5 Rung DW Ladder Frame (wide)	12.6

# Guardrail Bracing Frame

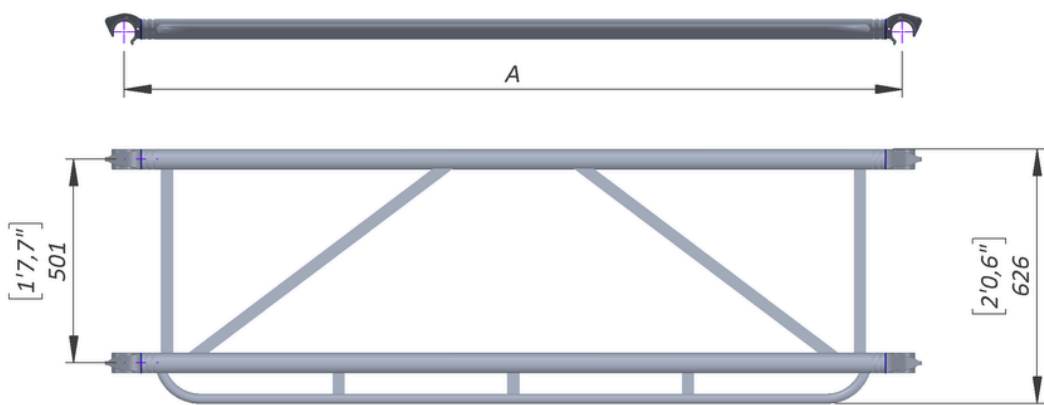


Part No.	Description	Size A(mm)	Size A (in)	Weight (Kg)
9604-01	2.0m (6Ft) Bracing Frame	1912	75.27	4.14
9604-02	2.5m (8Ft) Bracing Frame	2496	98.26	4.85
9604-03	3.0m (10Ft) Bracing Frame	3048	120	5.82



Part No.	Description	Size A(mm)	Size A (in)	Weight (Kg)
9604-01R	2.0m (6Ft) Bracing Frame	1912	75.27	5.09
9604-02R	2.5m (8Ft) Bracing Frame	2496	98.26	5.81
9604-03R	3.0m (10Ft) Bracing Frame	3048	120	7.25

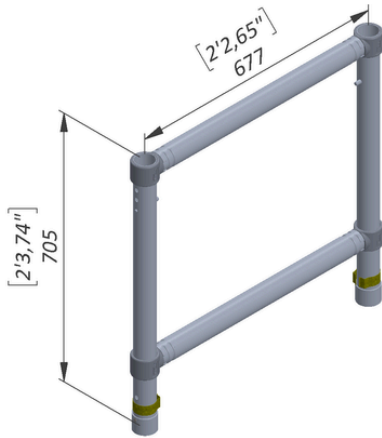
# Guardrail Bracing Frame



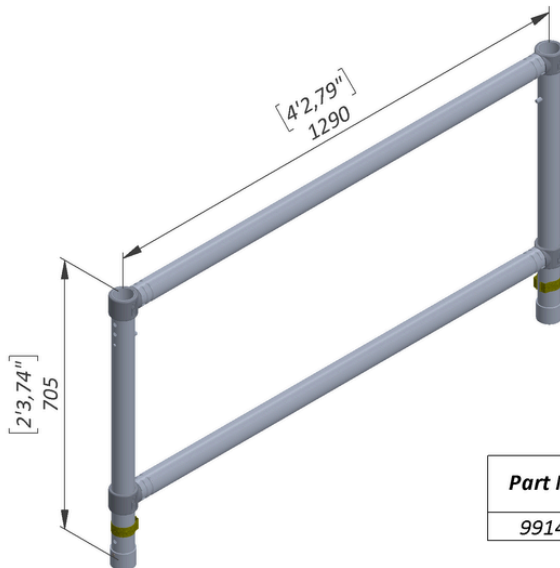
<b>Part No.</b>	<b>Description</b>	<b>Size A(mm)</b>	<b>Size A (in)</b>	<b>Weight (Kg)</b>
9604-10	2.0m (6Ft) Bracing Frame	1912	75.27	5.36
9604-20	2.5m (8Ft) Bracing Frame	2496	98.26	6.26
9604-30	3.0m (10Ft) Bracing Frame	3048	120	7.10

# Guardrail Frame

Spigot UP System



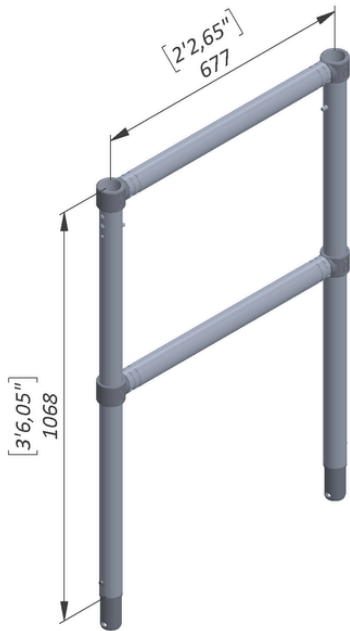
Part No.	Description	Weight (Kg)
9843	Guardrail Frame DW (narrow)	2.9



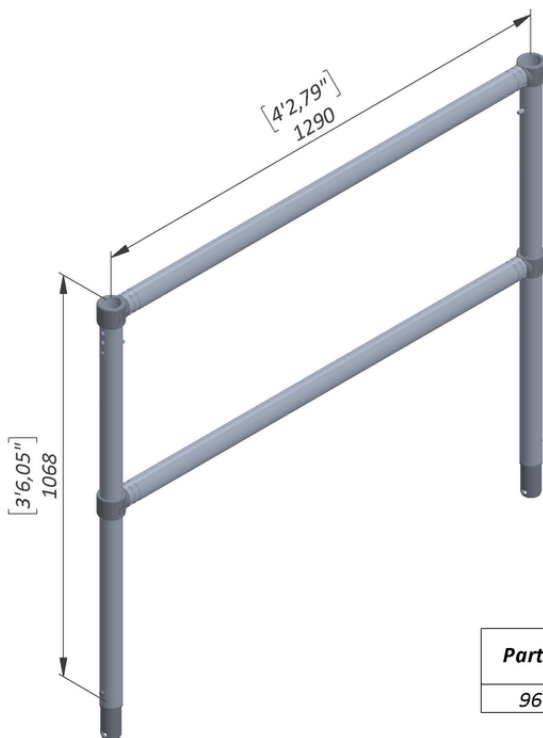
Part No.	Description	Weight (Kg)
99146	Guardrail Frame DW (wide)	3.7

# Guardrail Frame

*Spigot Down System*

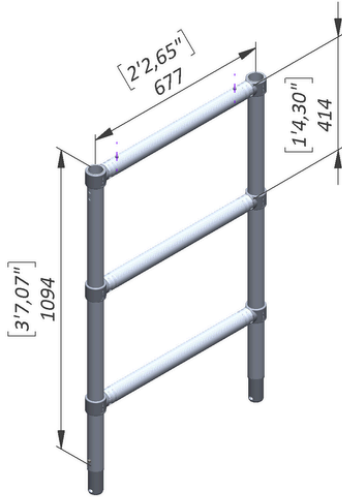


Part No.	Description	Weight (Kg)
9673	Guardrail Frame SW (narrow)	3.5

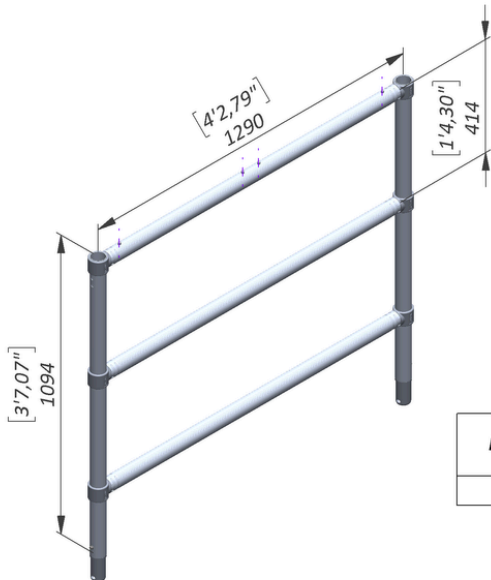


Part No.	Description	Weight (Kg)
9677	Guardrail Frame DW (wide)	4.3

# Guardrail Frame

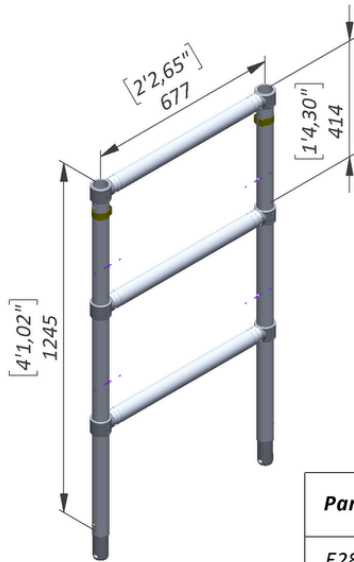


Part No.	Description	Weight (Kg)
270-00	Special SW Guardrail System (narrow)	3.1

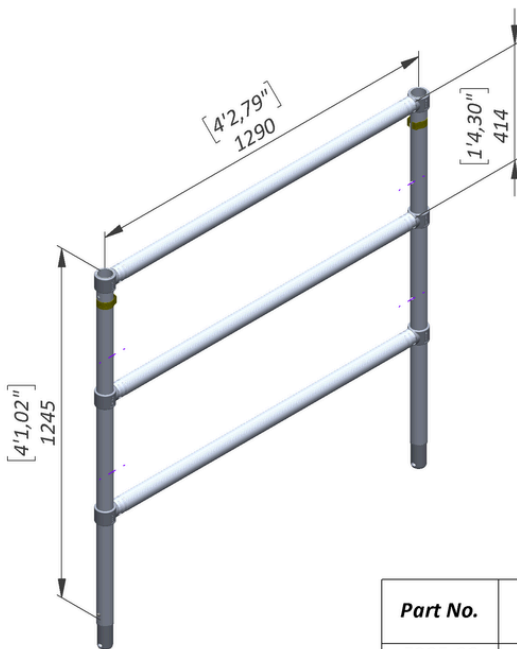


Part No.	Description	Weight (Kg)
470	Special DW Guardrail System (wide)	4.5

# Guardrail Frame



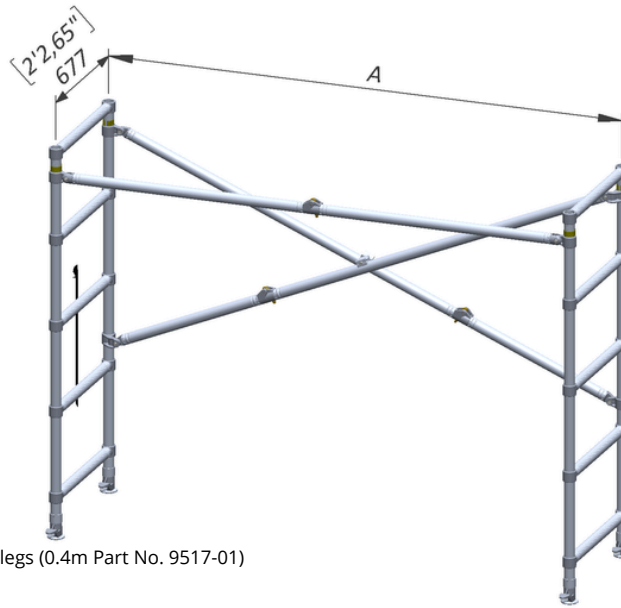
Part No.	Description	Weight (Kg)
E285-29	3 Rung SW Guardrail Extension Combi (narrow)	4.7



Part No.	Description	Weight (Kg)
E285-30	3 Rung DW Guardrail Extension Combi (wide)	5.8

### VX Base

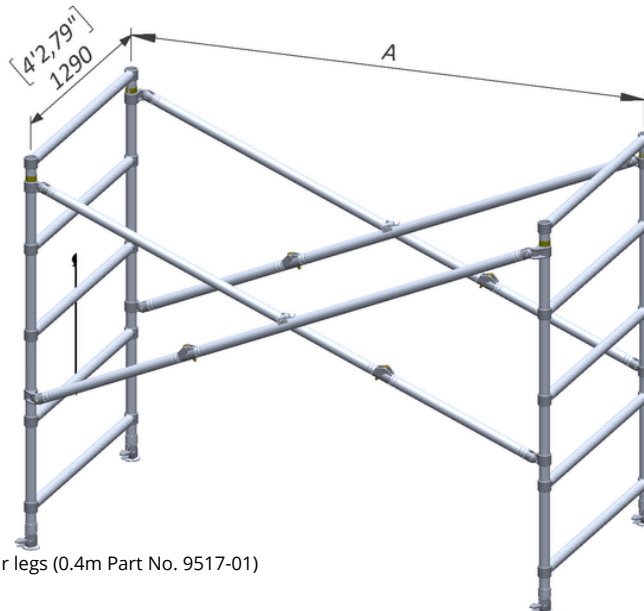
Single Width  
with legs



VX Assemblies include four legs (0.4m Part No. 9517-01)

Part No.	Description	Size A(mm)	Size A(in)	Weight (Kg)
99246-00	2.0m (6Ft) VX Base SW (narrow)	1912	75.27	27.1
99248-00	2.5m (8Ft) VX Base SW (narrow)	2496	98.26	28.1
99250-00	3.0m (10Ft) VX Base SW (narrow)	3048	120.0	29.1

Double Width  
with legs

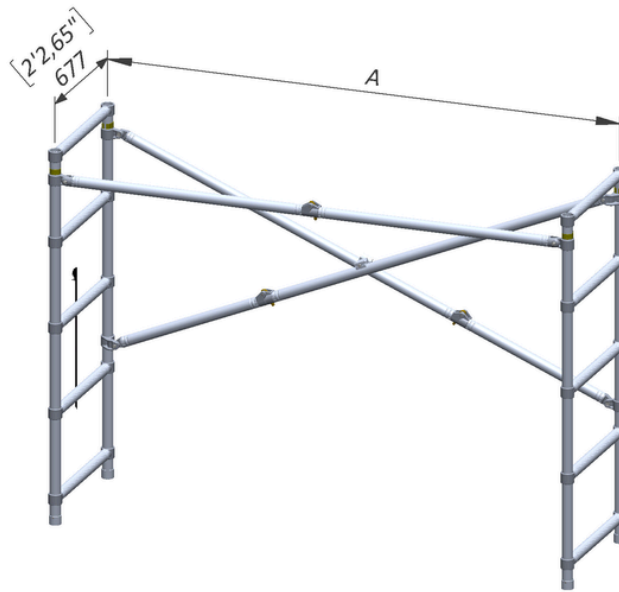


VX Assemblies include four legs (0.4m Part No. 9517-01)

Part No.	Description	Size A(mm)	Size A(in)	Weight (Kg)
99446-00	2.0m (6Ft) VX Base DW (wide)	1912	75.27	33.4
99448-00	2.5m (8Ft) VX Base DW (wide)	2496	98.26	34.6
99450-00	3.0m (10Ft) VX Base DW (wide)	3048	120.0	35.8

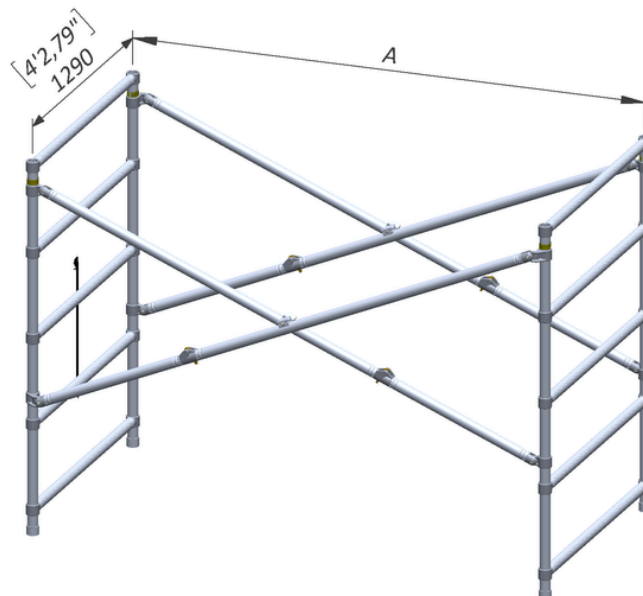
## VX Base

Single Width  
without legs



Part No.	Description	Size A(mm)	Size A(in)	Weight (Kg)
99246-01	2.0m (6Ft) VX Base SW (narrow)	1912	75.27	22.9
99248-01	2.5m (8Ft) VX Base SW (narrow)	2496	98.26	23.9
99250-01	3.0m (10Ft) VX Base SW (narrow)	3048	120.0	24.9

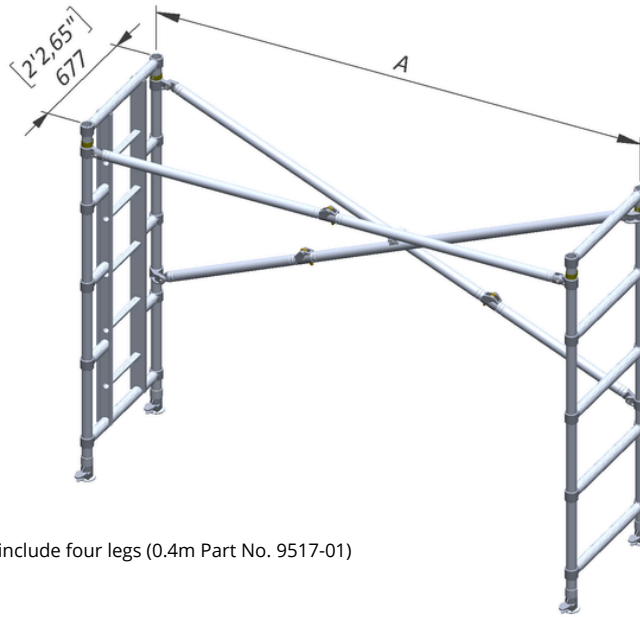
Double Width  
without legs



Part No.	Description	Size A(mm)	Size A(in)	Weight (Kg)
99446-01	2.0m (6Ft) VX Base DW (wide)	1912	75.27	30.4
99448-01	2.5m (8Ft) VX Base DW (wide)	2496	98.26	31.3
99450-01	3.0m (10Ft) VX Base DW (wide)	3048	120.0	32.8

## VX Base (Ladder Type)

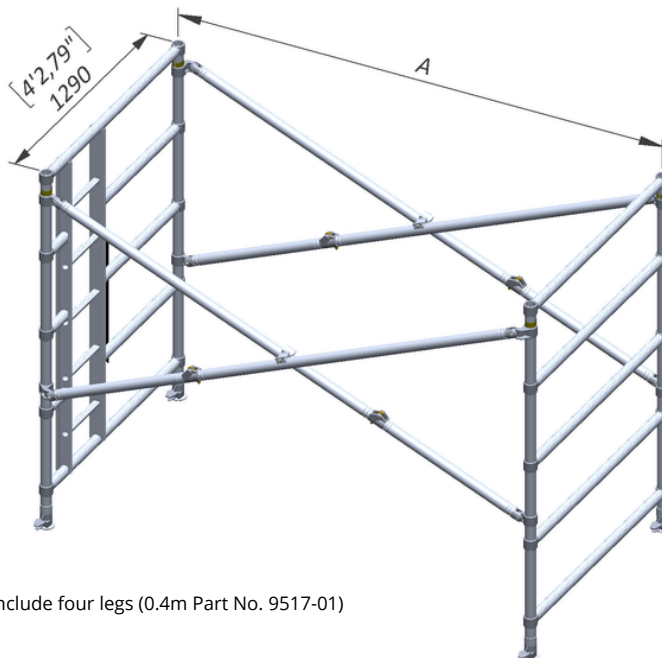
Single Width  
with legs



VX Assemblies include four legs (0.4m Part No. 9517-01)

Part No.	Description	Size A(mm)	Size A(in)	Weight (Kg)
E1680-10	2.0m (6Ft) Ladder VX Base SW (narrow)	1912	75.27	30.5
E1680-08	2.5m (8Ft) Ladder VX Base SW (narrow)	2496	98.26	31.5
E1680-12	3.0m (10Ft) VX Ladder Base SW (narrow)	3048	120.0	32.5

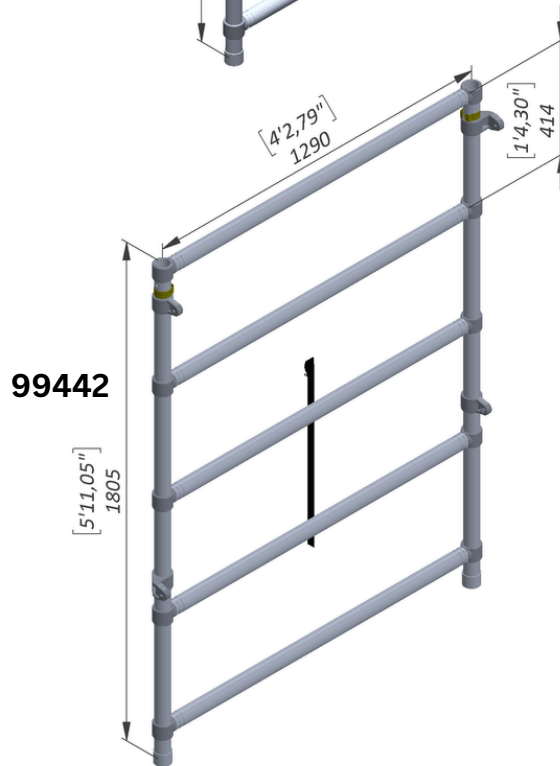
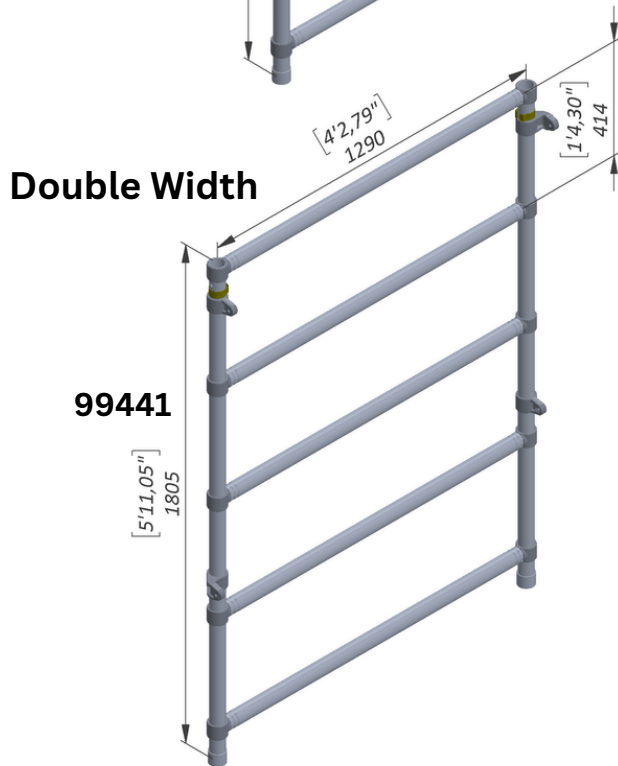
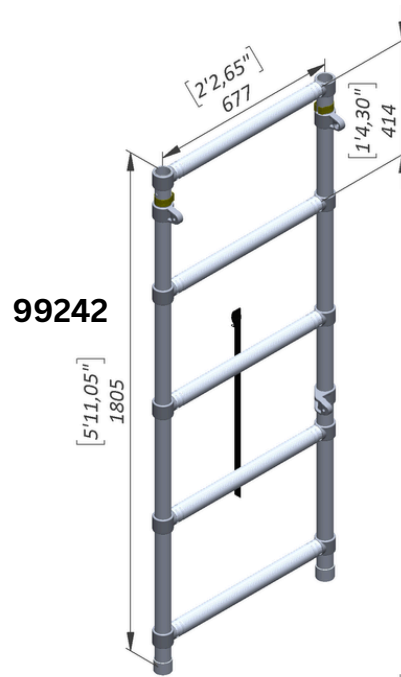
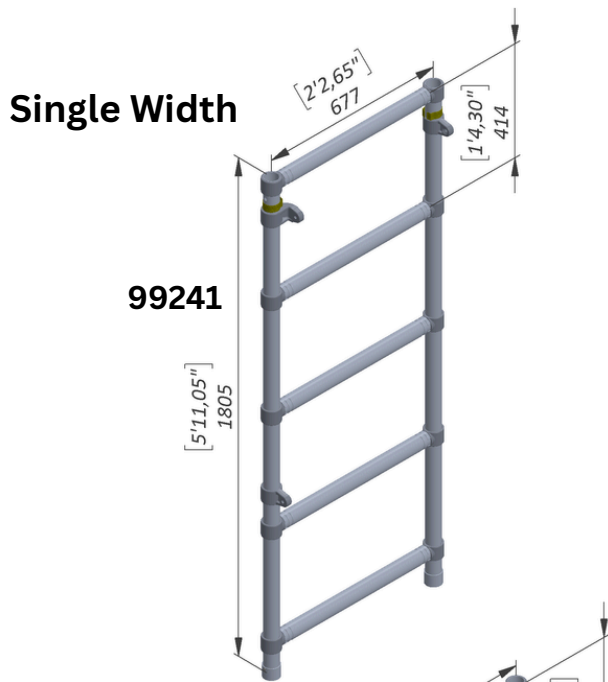
Double Width  
with legs



VX Assemblies include four legs (0.4m Part No. 9517-01)

Part No.	Description	Size A(mm)	Size A(in)	Weight (Kg)
E1680-09	2.0m (6Ft) Ladder VX Base DW (wide)	1912	75.27	36.8
E1680-07	2.5m (8Ft) Ladder VX Base DW (wide)	2496	98.26	37.8
E1680-11	3.0m (10Ft) Ladder VX Base DW (wide)	3048	120.0	38.8

# VX Frame

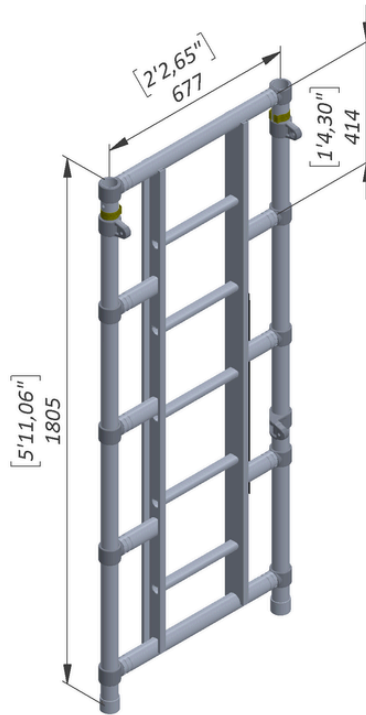


Part No.	Description	Weight (Kg)
99241	Single Width VX Frame	10.2
99242	Single Width VX Frame (with strap)	10.3
99441	Double Width VX Frame	12.2
99442	Double Width VX Frame (with strap)	12.3

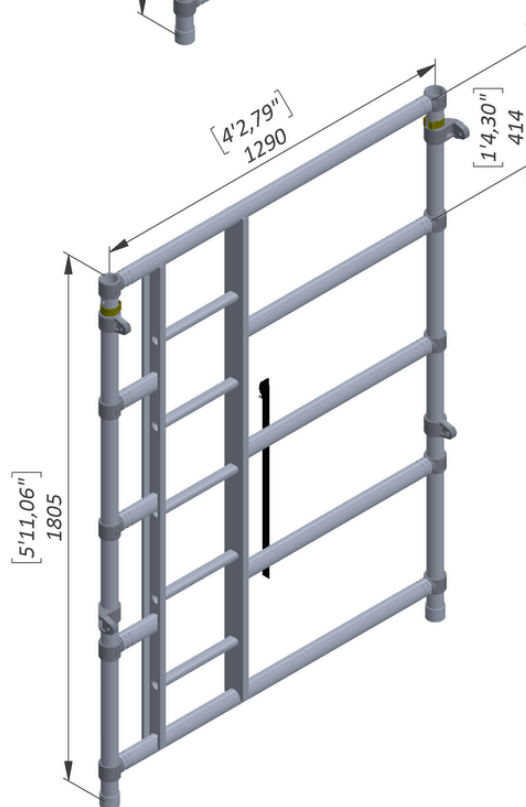
# VX Ladder Frame



## Single Width



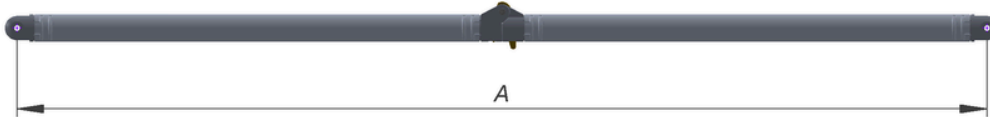
## Double Width



Part No.	Description	Weight (Kg)
E1680-02	Single Width Ladder VX Frame (with strap)	14.2
E1680-01	Double Width VX Ladder Frame (with strap)	16.2

# VX Folding Brace

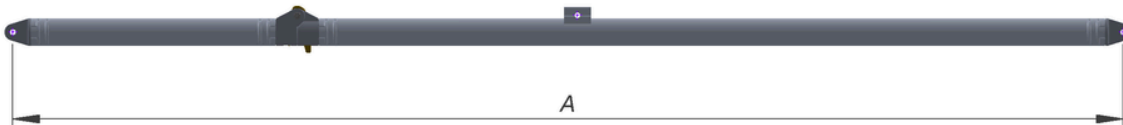
## Horizontal Brace



Part No.	Description	Size A (mm)	Size A (in)	Weight (Kg)
1088	2.0m (6Ft) Horizontal Brace	1798	70.78	1.9
1089	2.5m (8Ft) Horizontal Brace	2382	93.78	2.3
1090	3.0m (10Ft) Horizontal Brace	2934	115.51	2.7

## Diagonal Brace

Type A (single width)



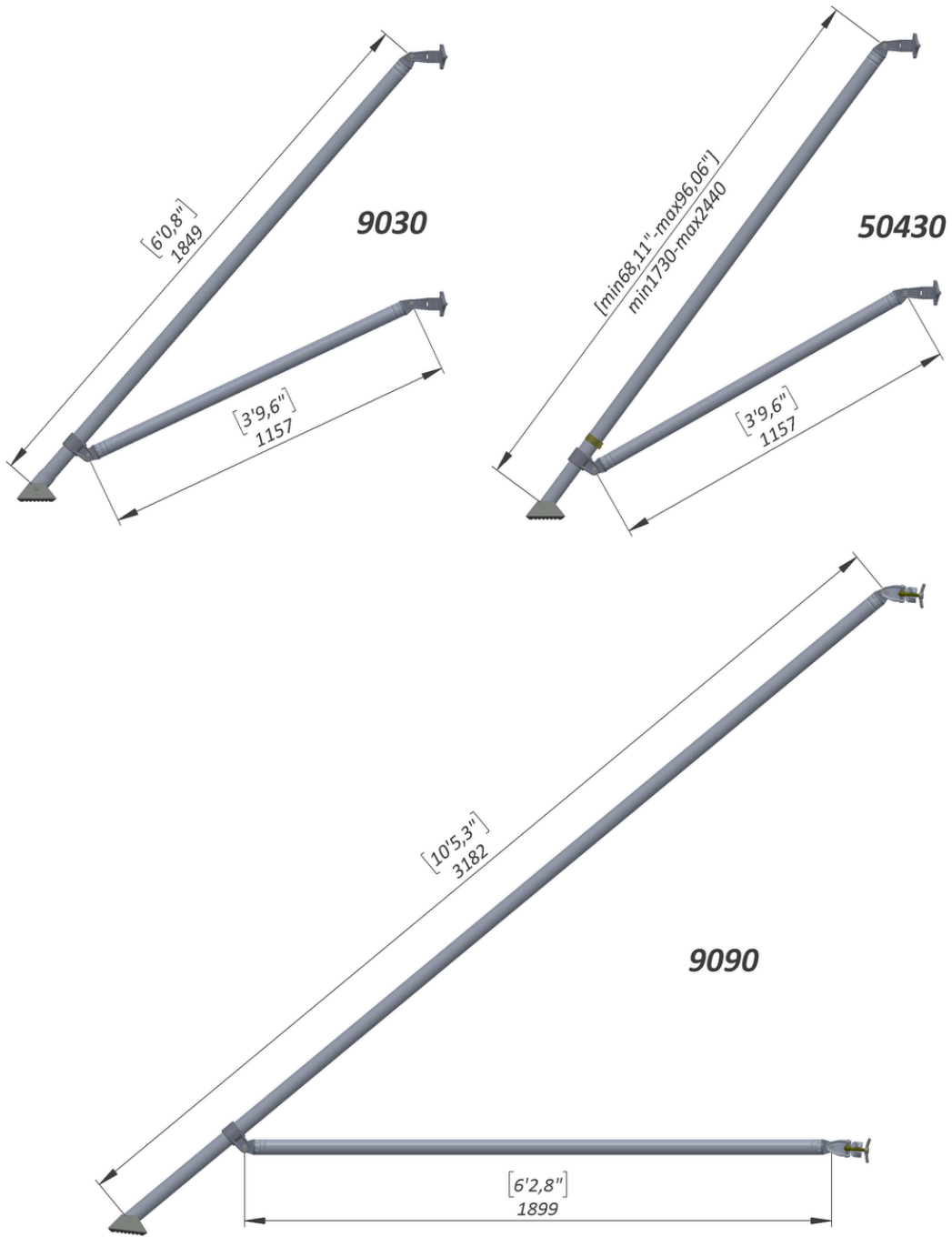
Part No.	Description	Size A (mm)	Size A (in)	Weight (Kg)
9985	2.0m (6Ft) Diagonal Brace	2059	81.06	2.1
9986	2.5m (8Ft) Diagonal Brace	2585	101.77	2.4
9987	3.0m (10Ft) Diagonal Brace	3100	122.04	2.7

Type B (double width)



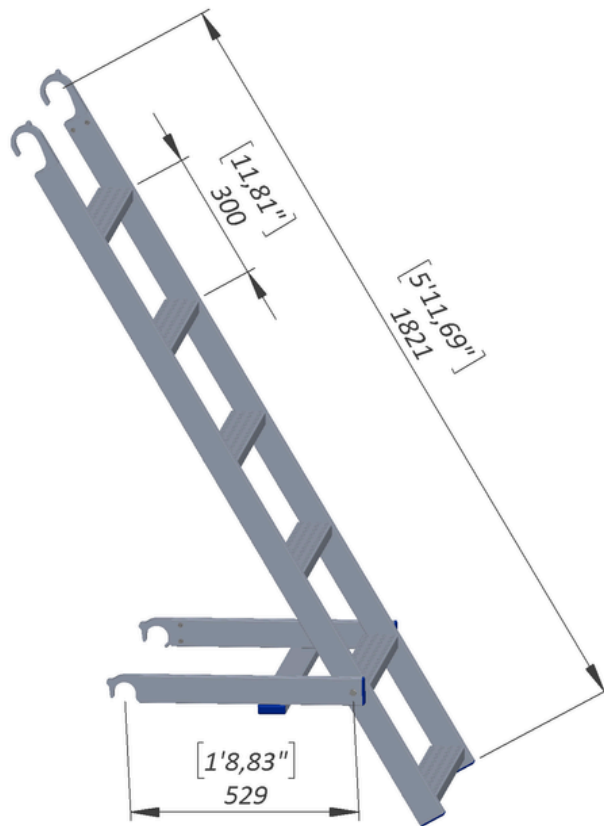
Part No.	Description	Size A (mm)	Size A (in)	Weight (Kg)
1085	2.0m (6Ft) Diagonal Brace	2059	81.06	2.1
1086	2.5m (8Ft) Diagonal Brace	2585	101.77	2.4
1087	3.0m (10Ft) Diagonal Brace	3100	122.04	2.7

### Outrigger



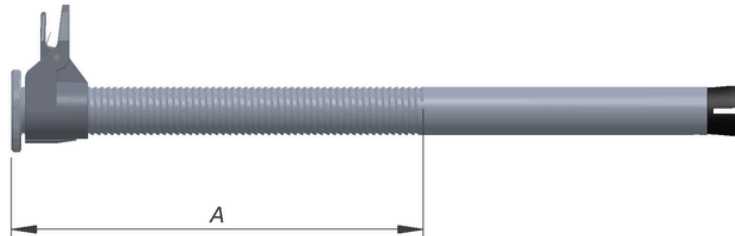
Part No.	Description	Weight (Kg)
9030	Fixed Outrigger	4.0
50430	Telescopic Outrigger	5.2
9090	Heavy Duty Outrigger	7.0

# Ladder

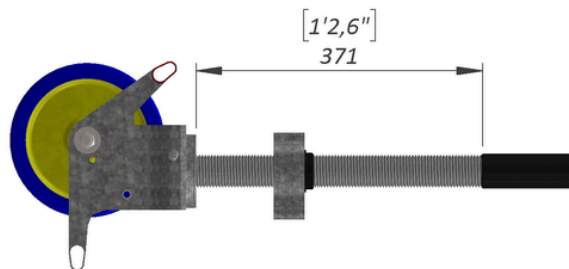


Part No.	Description	Weight (Kg)
9006-31	Six Step Ladder	6.4

### Adjustable Leg

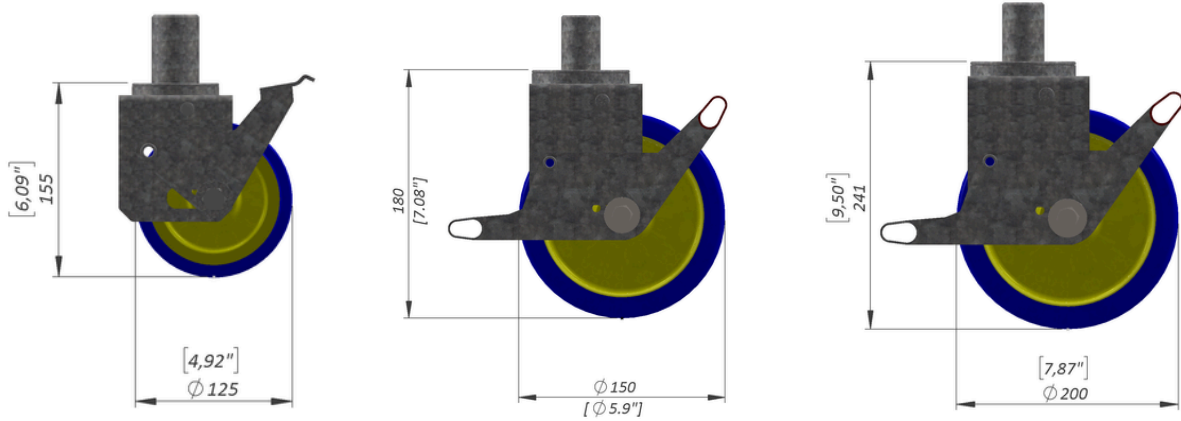


Part No.	Description	Size (A)	Size A (in)	Weight (Kg)
9517-01	0.4m Adjustable Leg	406	15.98	1.3
9204-01	0.6m Adjustable Leg	615	24.21	1.4
9121	0.8m Adjustable Leg	812	31.96	1.7



Part No.	Description	Weight (Kg)	Load Capacity (Kg)
40617-02	Integral Steel Leg+Castor 200mm	7.0	700

# Castor



<b>Part No.</b>	<b>Description</b>	<b>Weight (Kg)</b>	<b>Load Capacity (Kg)</b>
5061	125mm (5") Swivel Castor	2.3	600
5098	150mm (6") Swivel Castor	2.8	700
9600-01	200mm (8") Swivel Castor	4.4	700

# SPAN 400 User Manual

## Contact Information

### INSTANT USA



P.O. Box 42011 Phoenix, AZ 85080



1-877-697-2233



[sales@uprightscaffold.com](mailto:sales@uprightscaffold.com)